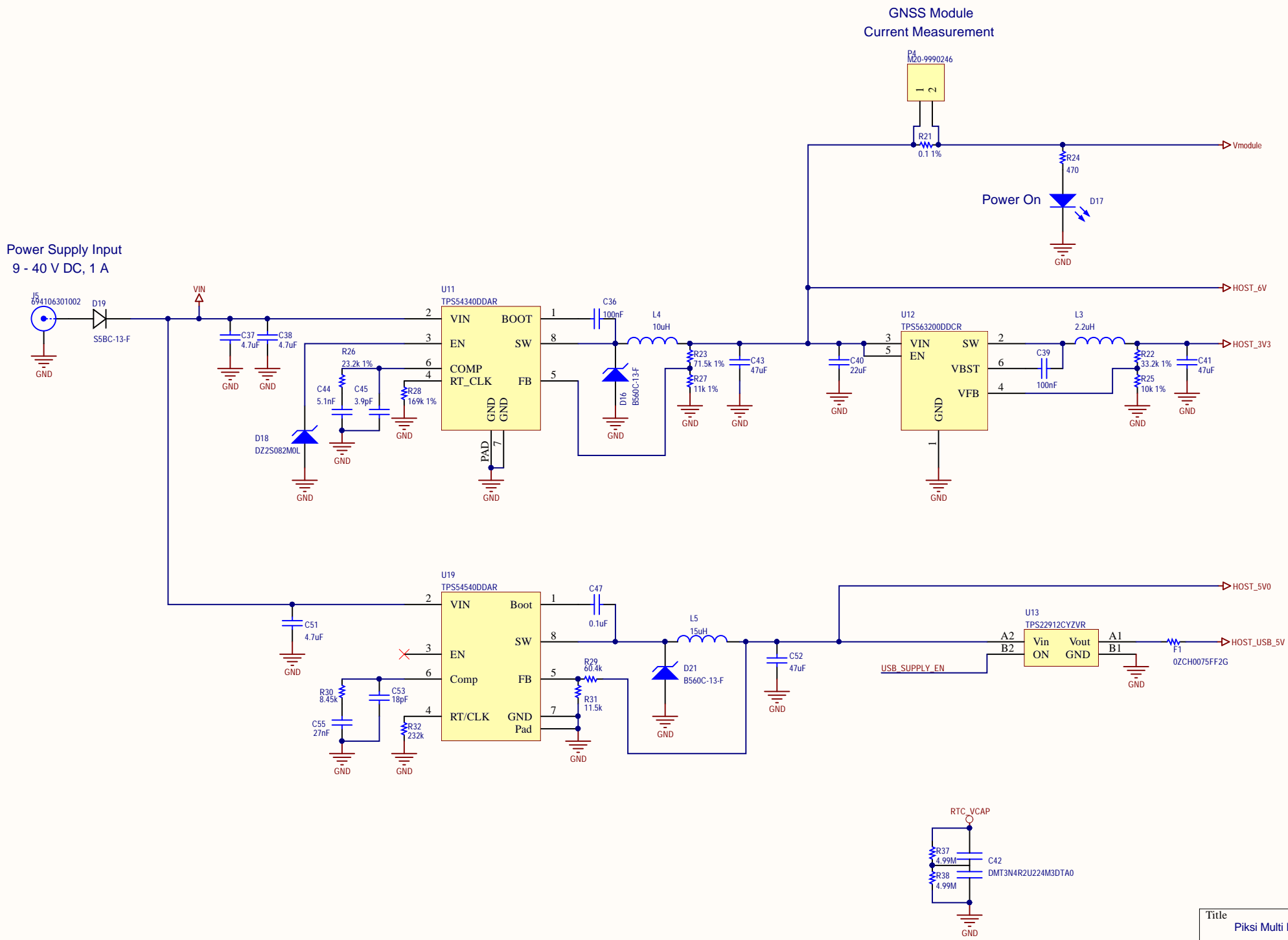
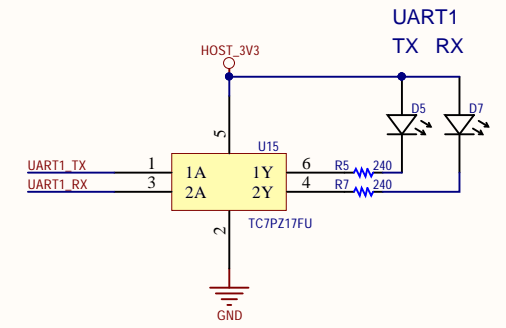
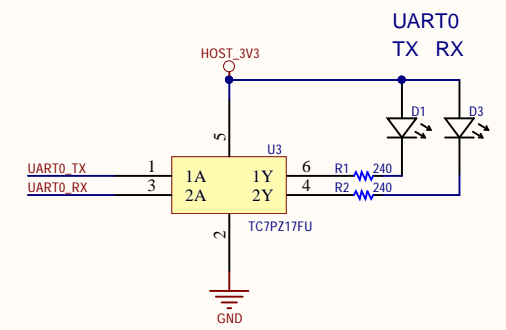
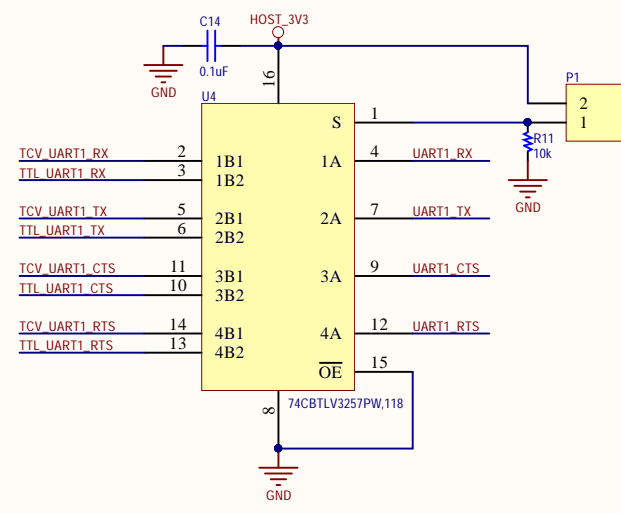
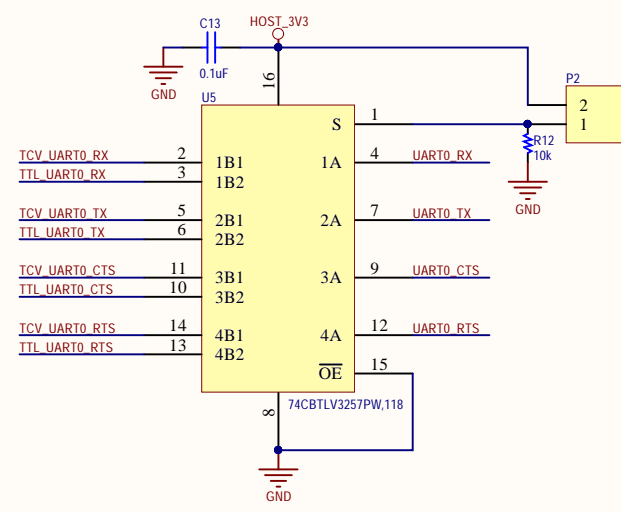
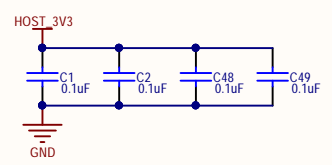
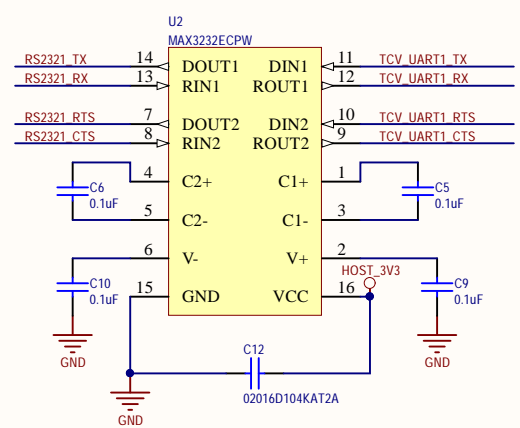
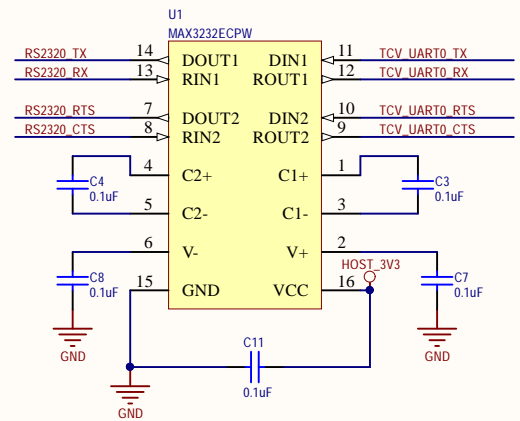
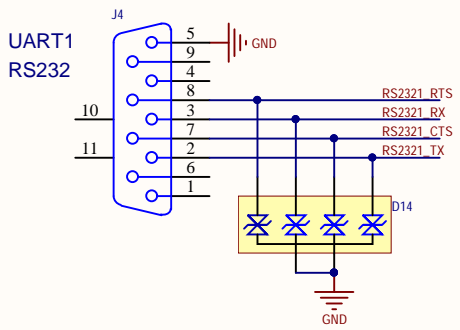
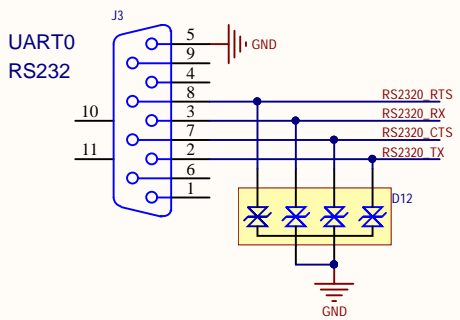
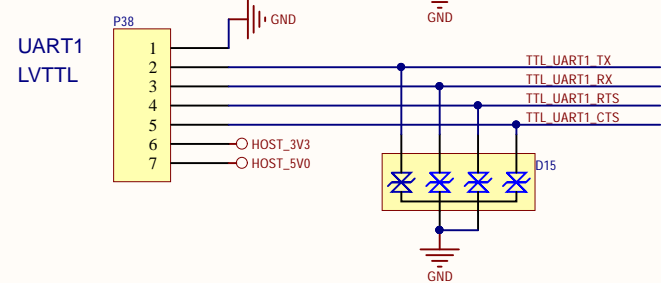
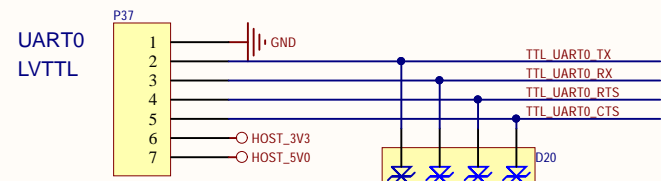


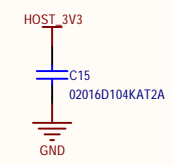
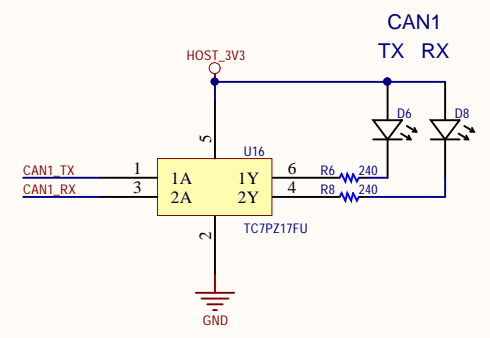
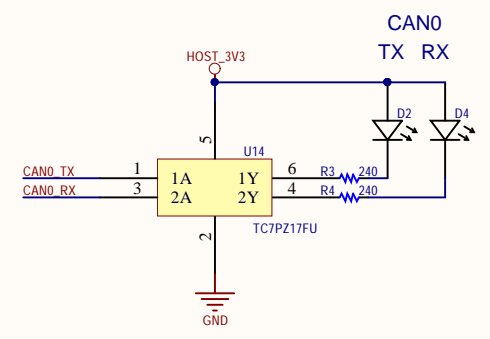
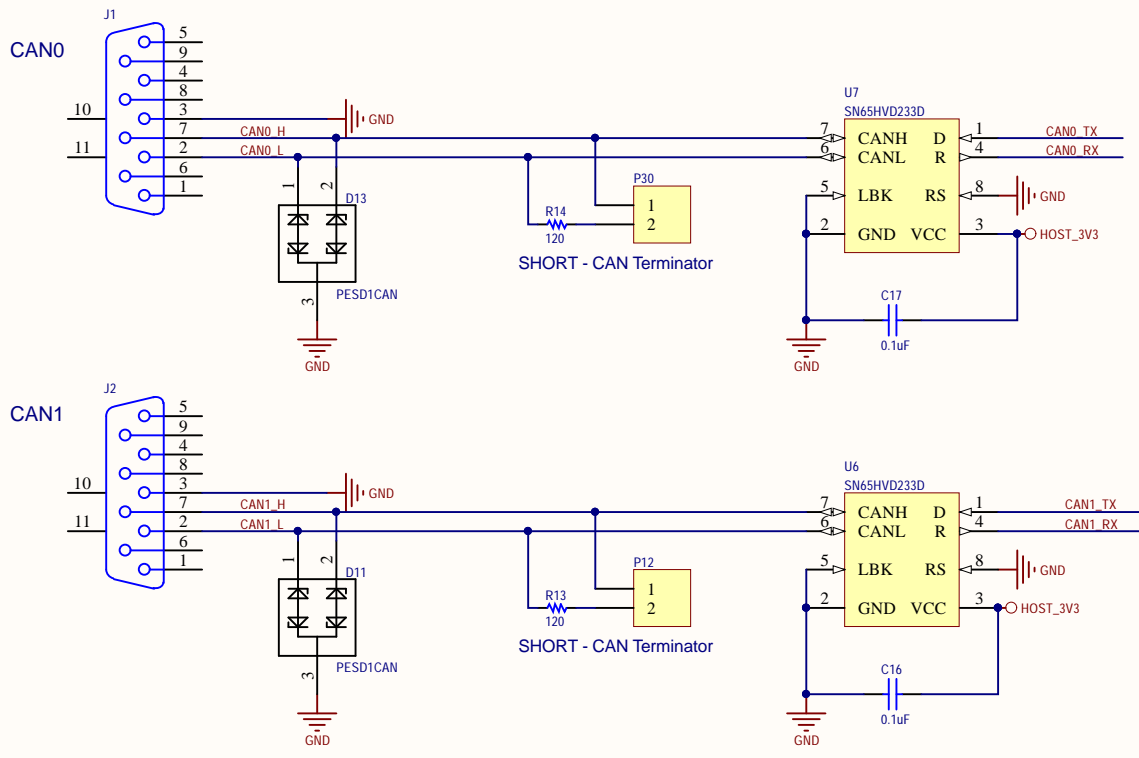
Power Supply Input
9 - 40 V DC, 1 A



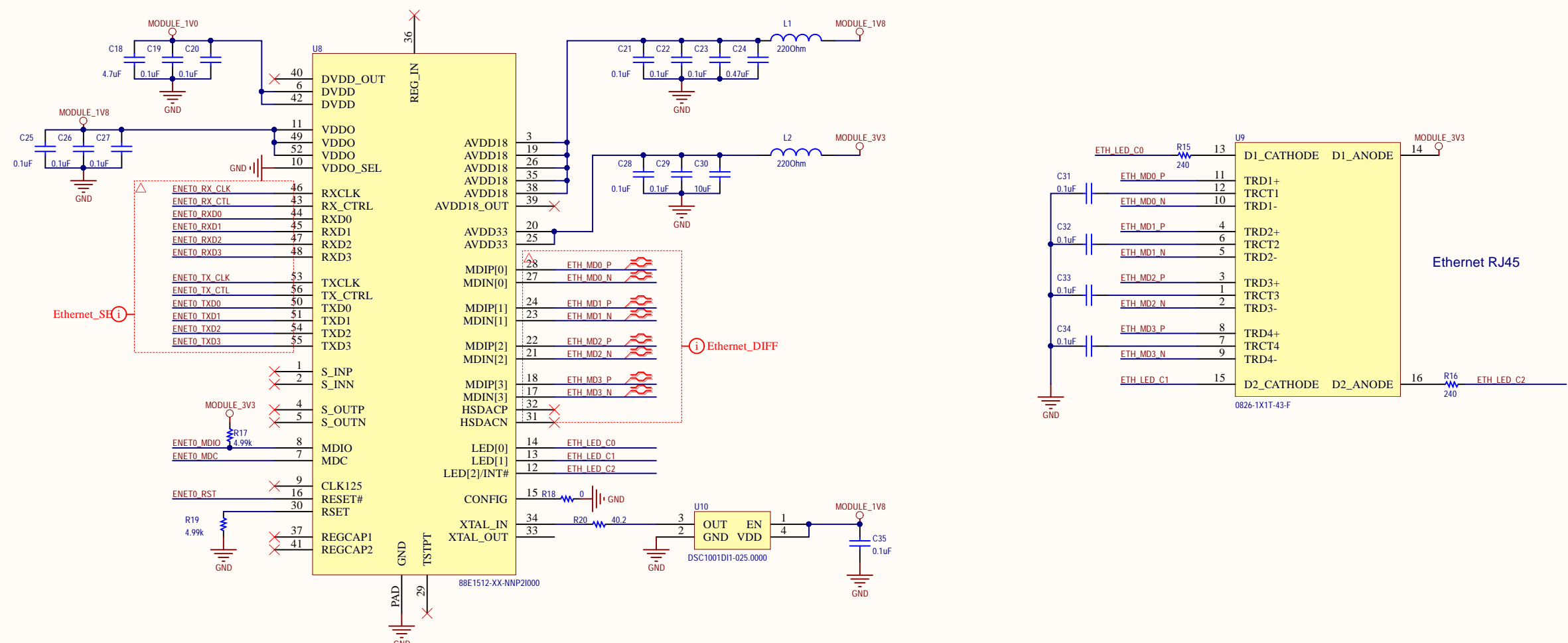
Title Piksi Multi Evaluation Board - Power Supply		
Size B	Number 00177-03	Revision 1.0
Date:	3/7/2017	Sheet 1 of 6
File:	C:\Users\...\Power Supply.SchDoc	Drawn By: Jas Condeley



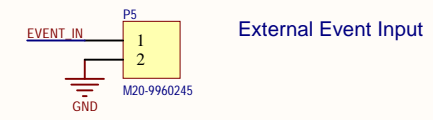
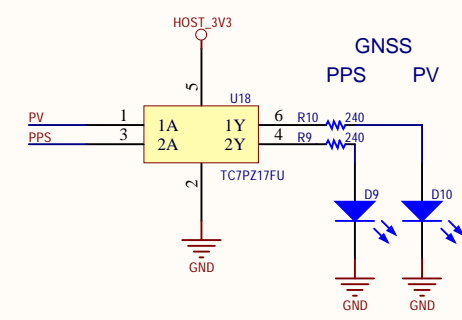
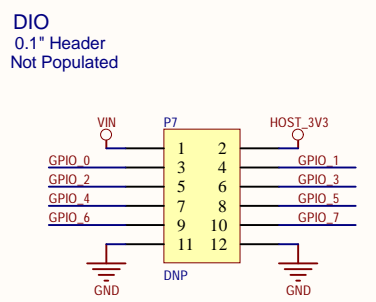
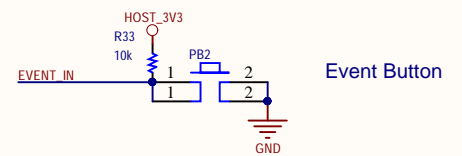
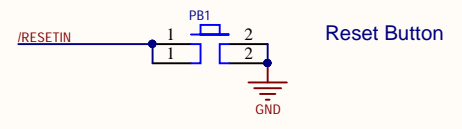
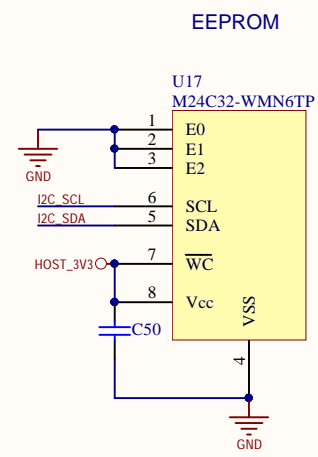
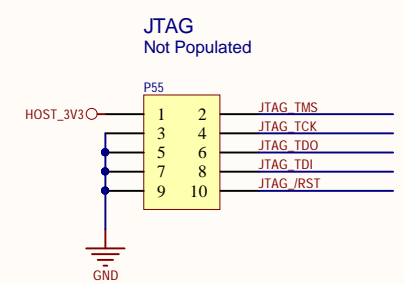
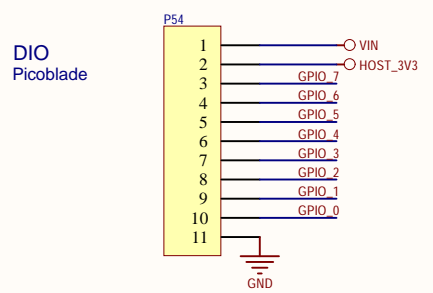
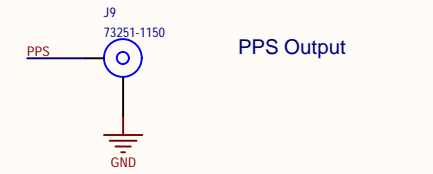
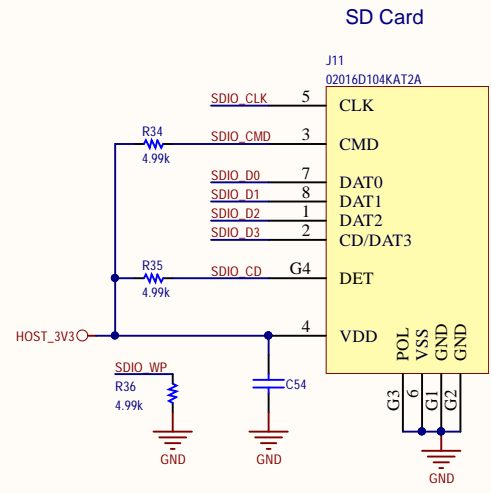
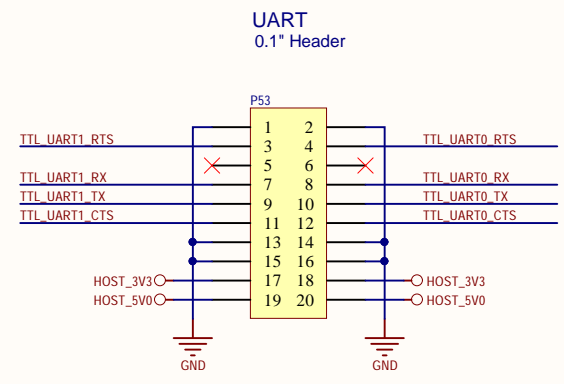
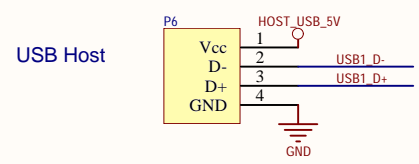
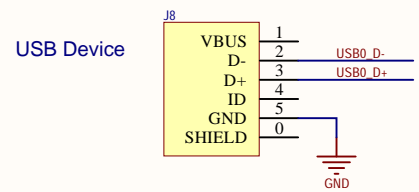
Title Piksi Multi Evaluation Board - UART Interface		
Size B	Number 00177-03	Revision 1.0
Date:	3/7/2017	Sheet 2 of 6
File:	C:\Users\...\UART Interface.SchDoc	Drawn By: Jas Condeley



Title Piksi Multi Evaluation Board - CAN Interface		
Size B	Number 00177-03	Revision 1.0
Date:	3/7/2017	Sheet 3 of 6
File:	C:\Users\...\CAN Interface.SchDoc	Drawn By: Jas Condley

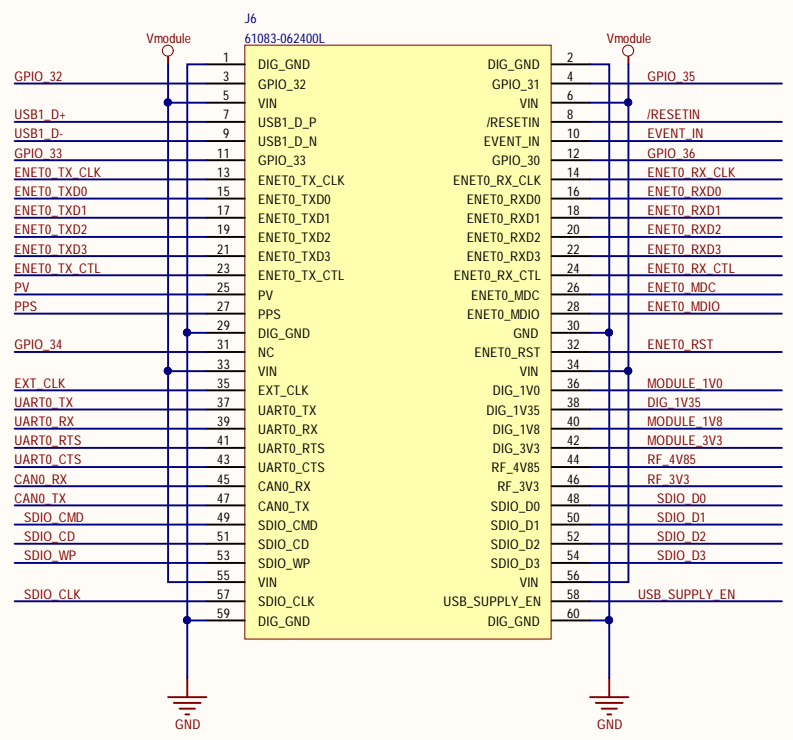


Title Piksi Multi Evaluation Board - Ethernet Interface		
Size B	Number 00177-03	Revision 1.0
Date: 3/7/2017	Sheet 4 of 6	
File: C:\Users\...\Ethernet Interface.SchDoc	Drawn By: Jas Condley	

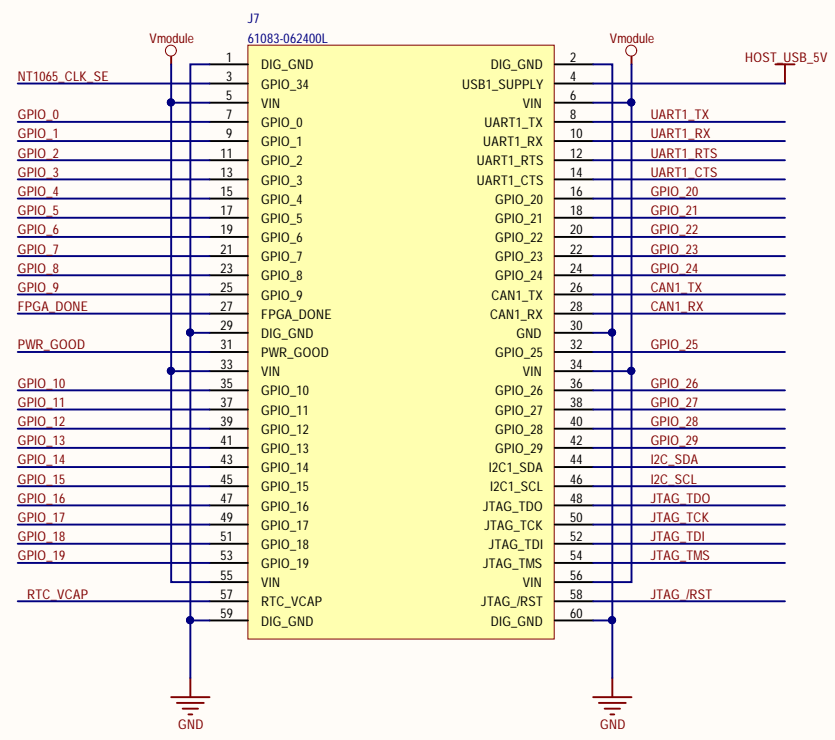


Title Piksi Multi Evaluation Board - Digital I/O		
Size B	Number 00177-03	Revision 1.0
Date: 3/7/2017	Sheet 5 of 6	
File: C:\Users\...\Digital IO.SchDoc	Drawn By: Jas Condeley	

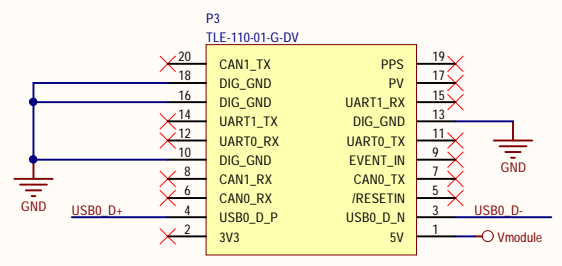
High Density Connector 1



High Density Connector 2



20 Pin Connector



Title Piksi Multi Evaluation Board - GNSS Module Connectors		
Size B	Number 00177-03	Revision 1.0
Date: 3/7/2017	Sheet 6 of 6	Drawn By: Jas Condley
File: C:\Users\l\GNSS Module Connectors.SchDoc		